



The Viconics R850V series step controller is designed for cost effective, precise modulation of multi-stage control application.

An integrated vernier control output will give a precise and full modulation of the load from 0 to 100% of the total capacity.

Available Models

Model	4 stage unit control	8 stage unit control
R850V-4	•	
R850V-8		•

Features And Benefits

Features	Benefits
Microcomputer-based design	Accuracy and reliability
Adjustable inter-stage delay	Provides flexibility in replacement applications
Adjustable Vernier ratio	Simplifies design of proportional stage
Choice of pulsed or analog Vernier output	Permits use of SCR or lower cost SSR
Up to 16 stages	One product family can handle all applications
Choice of LIFO or FIFO sequencing	Increased flexibility of FIFO permits even use of contactors
Test button	Quick troubleshooting

Dip Switch Configuration

Using input dip switches:

Input signal	S1	S2	S3	S4
0 to 10 Vdc control signal (2 to 10 Vdc control range)	OFF	OFF	OFF	ON
4 to 20 mA control signal	OFF	OFF	ON	OFF
0 to 135 W control signal	ON	ON	OFF	OFF

Using control dip switches:

Sequence of operation	S1	Vernier stage	S2
FIFO (First in first out)	ON	Vdc pulsed signal (SSR)	ON
LIFO (Last in first out)	OFF	0-10 Vdc (SCR)	OFF

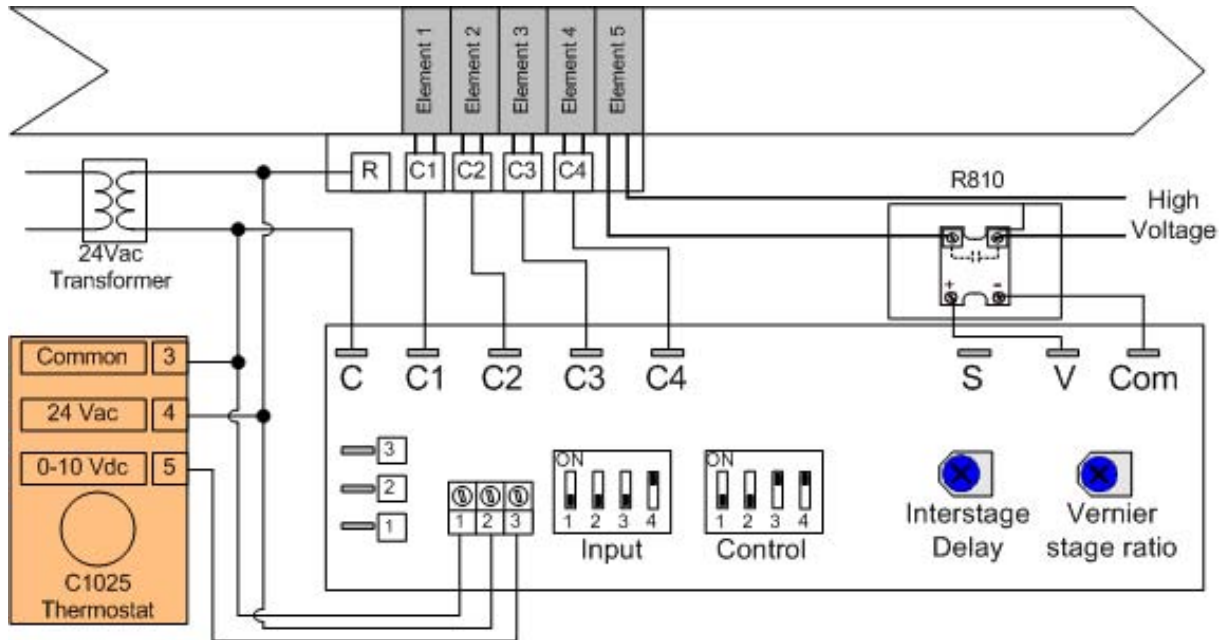
Number of stages	S3	S4
1	OFF	OFF
2	ON	OFF
3	OFF	ON
4	ON	ON

***4 stages model**

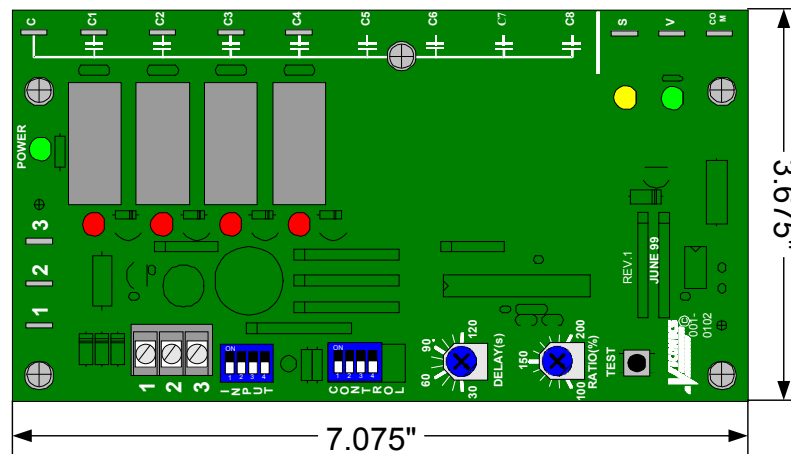
Number of stages	S3	S4	S5	S6
1	OFF	OFF	OFF	OFF
2	ON	OFF	OFF	OFF
3	OFF	ON	OFF	OFF
4	ON	ON	OFF	OFF
5	OFF	OFF	ON	OFF
6	ON	OFF	ON	OFF
7	OFF	ON	ON	OFF
8	ON	ON	ON	OFF

***8 stages model**

Five Stages Electric Duct Heater With A C1025 Thermostat



Dimensions



Specifications

- Operating Conditions:** 0°C to 80°C (32°F to 176°F)
0 % to 95 % R.H. non-condensing
- Relay outputs:** Isolated relay 30 Vac @ 1.0 amps. max. per output, up to a maximum of 4.0 amps. total per R850 controller. See application note 02.
- Vernier stage:** Vdc pulsed: 6 Vdc, 30 mA max. 0 to 10 Vdc 5 mA max.
- Input impedance:** 0 to 10 Vdc into 2Kohms minimum
- Power supply:** 24 Vac -15%, +10% 50/60 Hz; 4 VA
Use a Class 1 (properly fused) or Class 2, CSA or UL recognized transformer for power supply & relay outputs.